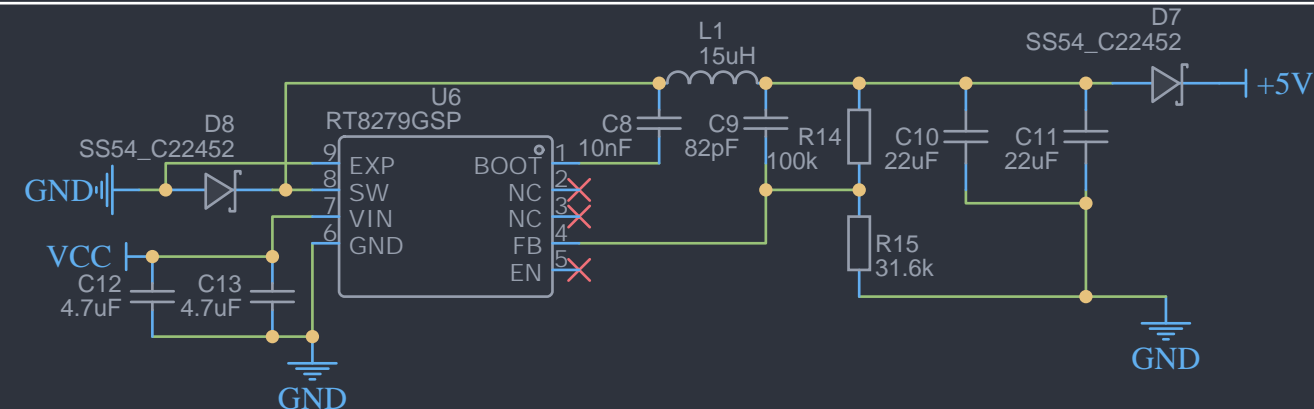


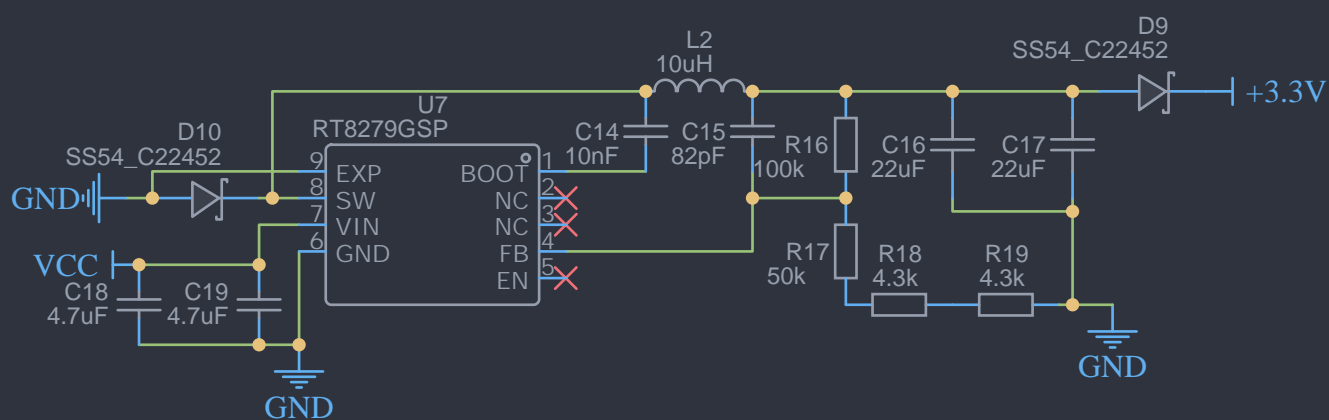
VCC to 3.3V Power Supply (LDO)

INPUT: 6V MAX OUTPUT: 3.3V 300mAh



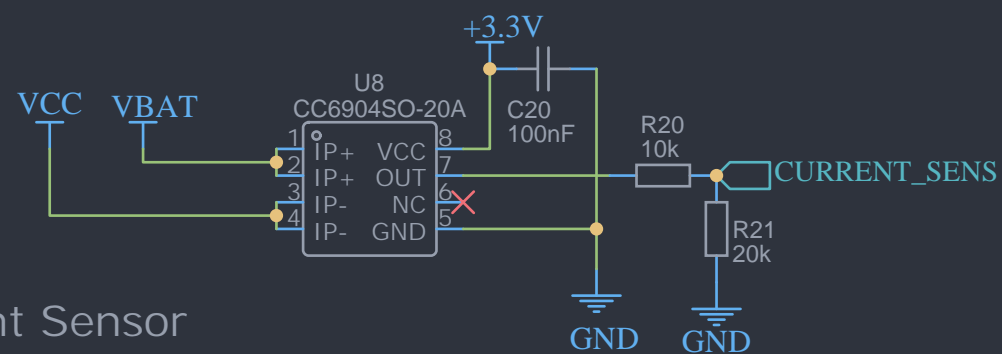
VCC to 5V Power Supply

INPUT: 36V MAX OUTPUT: 5V 5A



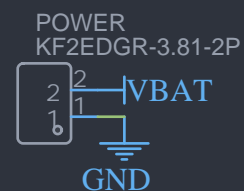
VCC to 5V Power Supply

INPUT: 36V MAX OUTPUT: 3.3V 5A



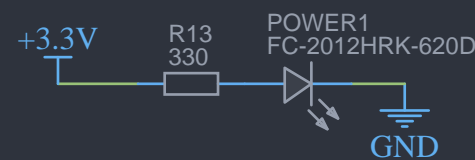
Current Sensor

INPUT: 20A MAX



VBAT Connector

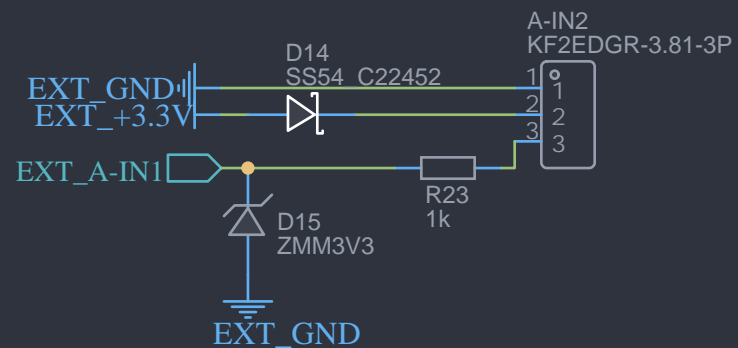
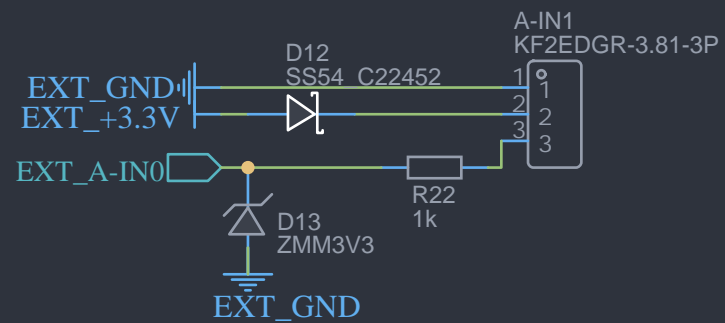
INPUT: 20A MAX



Power LED

Indicating that module has power

TITLE: Power Supply		REV: 1.0
	Company: Aquastorm	Sheet: 1/1
	Date: 2022-03-30	Drawn By: Steven Slaa



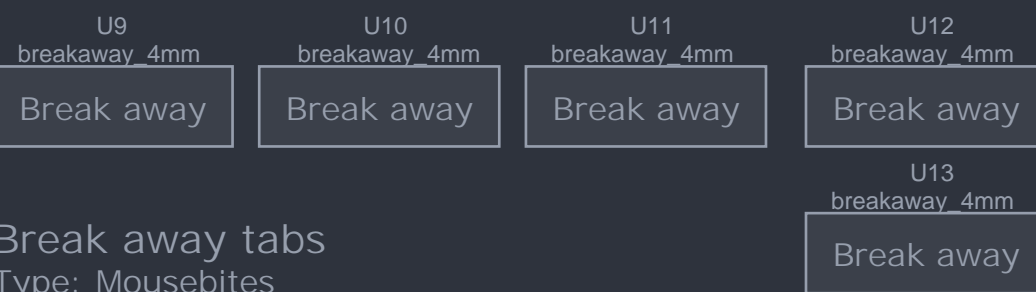
Notes:

- D12 and D14 are schottky diodes to prevent reverse voltage input
- D13 and D15 are 3.3V zener diodes, that prevent overvoltage on the input signal. The zener diodes conduct when voltage exceeds 3.3v. Thru R22 and R23, the current gets limited and after thru the diodes to ground.

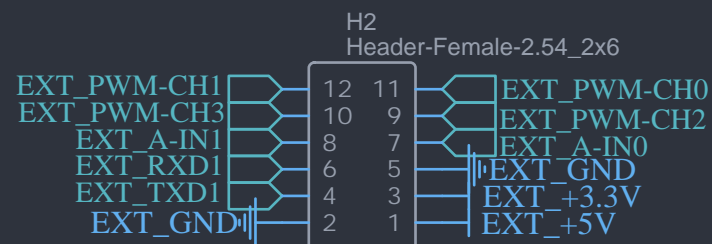
TITLE: Feedback Input		REV: 1.0
	Company: Aquastorm	Sheet: 1/1
	Date: 2022-04-12	Drawn By: Steven Slaa




RTC Battery (GPS Module)
Battery Type: CR1220



Break away tabs
Type: Mousebites



Connector Breakout Interface (mirrored for assembly)
Used for connecting the connector board

TITLE: Connector Breakout Components		REV: 1.0
	Company: Aquastorm	Sheet: 1/1
	Date: 2022-04-12	Drawn By: Steven Slaa